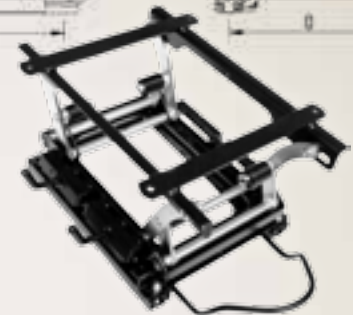
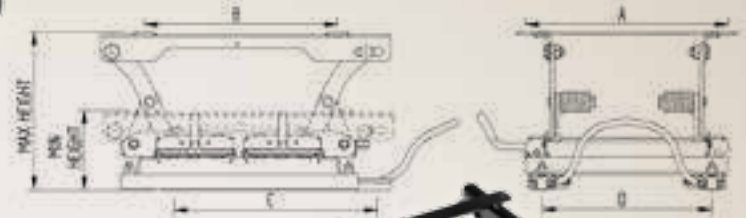


MK250 HEIGHT ADJUSTER



The Mk250 Height Adjuster has been around since the 1990's and is still a popular choice for aftermarket replacements. The unit went through a major redesign in 2008 and significant reinforcement was added to allow us to test the unit at MIRA to certify the unit with a safe working load of 190Kg (30 stones).

The unit is available as left or right handed adjustment with a variety of hole fixing configurations and a fully tested M3 version is also available.

L/H Part No.	R/H Part No.	Type / Description	MIN	MAX	A	B	C	D	Slider Set Part No.
MCDS1.25	MCDS1.35	Mk250 Height Adjuster (160mm Slides)	134	240	305	290	304 / 328	255	MCDS1.46 or MCDS1.44
MCDS1.26	MCDS1.36	Mk250 Height Adjuster (160mm Slides) c/w Rubber Gaiter	134	240	305	290	304 / 328	255	MCDS1.46 or MCDS1.44
MCDS1.27	MCDS1.37	Mk250 Height Adjuster (200mm Slides)	134	240	305	290	304 / 328	255	MCDS1.46 or MCDS1.44
MCDS1.28	MCDS1.38	Mk250 Height Adjuster (200mm Slides) c/w Rubber Gaiter	134	240	305	290	304 / 328	255	MCDS1.46 or MCDS1.44
MCDS1.29	MCDS1.39	Mk250 Height Adjuster (160mm Slides)	134	240	305	290	304 / 328	215	MCDS1.46
MCDS1.30	MCDS1.40	Mk250 Height Adjuster (160mm Slides) c/w Rubber Gaiter	134	240	305	290	304 / 328	215	MCDS1.46
MCDS1.31	MCDS1.41	Mk250 Height Adjuster (200mm Slides)	134	240	305	290	304 / 328	215	MCDS1.47
MCDS1.32	MCDS1.42	Mk250 Height Adjuster (200mm Slides) c/w Rubber Gaiter	134	240	305	290	304 / 328	215	MCDS1.47
MCDS1.33		Mk250 M3 Height Adjuster* (160mm Slides) c/w Rubber Gaiter	134	240	305	290	304	200	MCDS1.46
MCDS1.34		Mk250 M3 Height Adjuster* (200mm Slides) c/w Rubber Gaiter	134	240	305	290	304	200	MCDS1.47
	MCDS1.43	Mk250 Mercedes Height Adj [160mm Slides]	85	185	230	369	304	230	MCDS1.48

* Only certified to M3 in conjunction with related seat and fixed plinth. L/H adjustment only with gaiter for this option.

No.	CDS Part No.	Description	Notes
1	MCDS1.44	Mk250 replacement slide set 160mm	DIM A - 255mm, DIM B - 328mm
1	MCDS1.45	Mk250 replacement slide set 200mm	DIM A - 255mm, DIM B - 328mm
1	MCDS1.46	Mk250 replacement slide set 160mm	DIM A - 255mm, DIM B - 304mm
1	MCDS1.47	Mk250 replacement slide set 160mm	DIM A - 215mm, DIM B - 328mm (Isri Replacement)
1	MCDS1.48	Mk250 repl. slide set 160mm (Mercedes)	Includes adaptor frame
2	MCDS1.49	Shouldered Bolt Kit	4 x Nuts/Bolts
3	MCDS1.50	Top Frame Assy	
	MCDS1.51	Rubber Gaiter	

