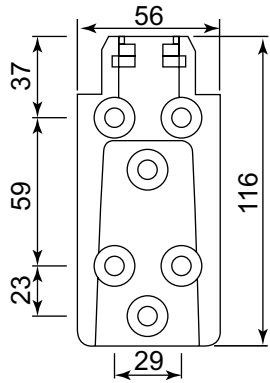
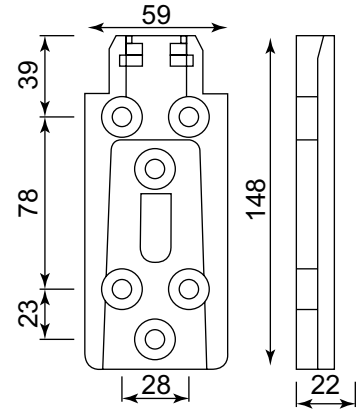


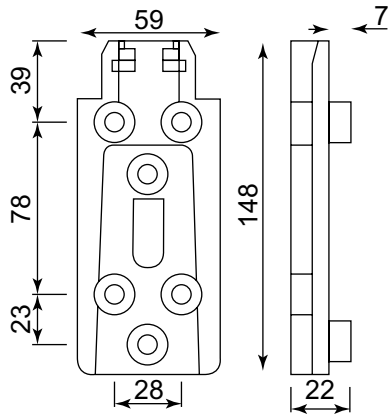
# Mirror Accessories



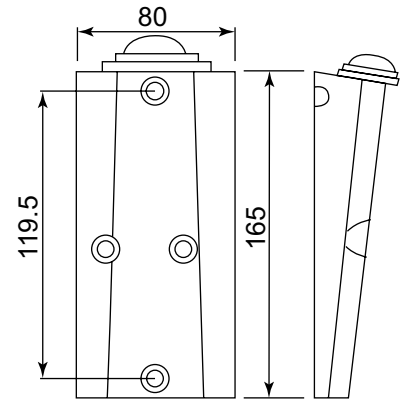
KEY NUMBER	DESCRIPTION
1	Mounting bracket with wiring harness (Arcol 309)



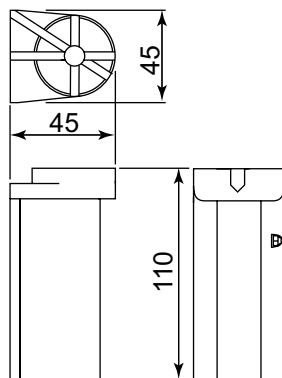
KEY NUMBER	DESCRIPTION
2	Mounting bracket with wiring harness (Wilke)



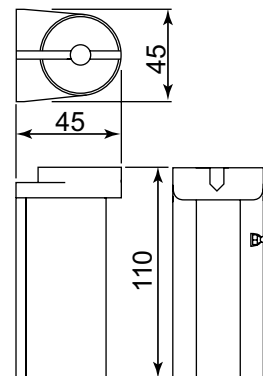
KEY NUMBER	DESCRIPTION
3	Mounting bracket with wiring harness (Wilke)



KEY NUMBER	DESCRIPTION
4	Mounting bracket without wiring harness



KEY NUMBER	DESCRIPTION
5	Mirror arm base (multiple slots for adjustment)



KEY NUMBER	DESCRIPTION
6	Mirror arm base

West Bromwich  
0121 524 1200

Bristol  
0117 955 4955

Glasgow  
0141 429 2704

London  
01932 349 396

Manchester  
0161 457 9800

Dublin  
0035318991060