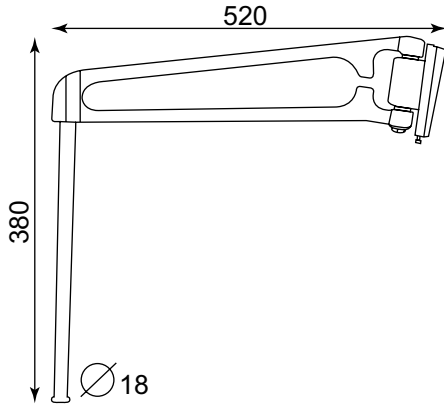
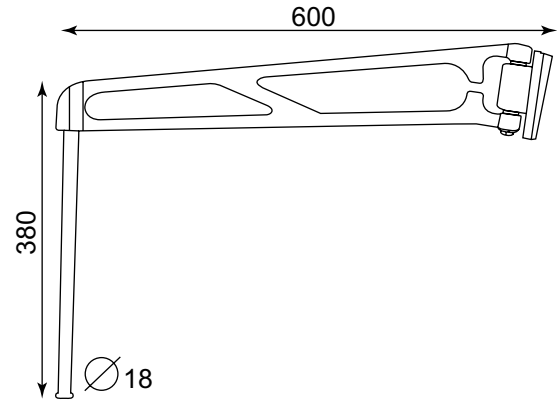


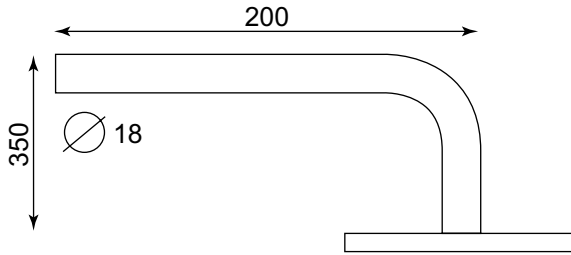
Mirror Arms



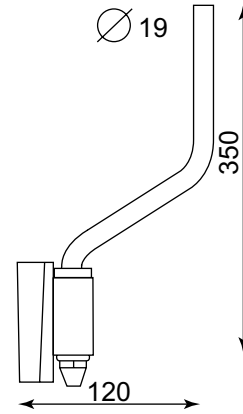
KEY NUMBER	DESCRIPTION
1	Mirror arm without wiring harness
2	Mirror arm with wiring harness



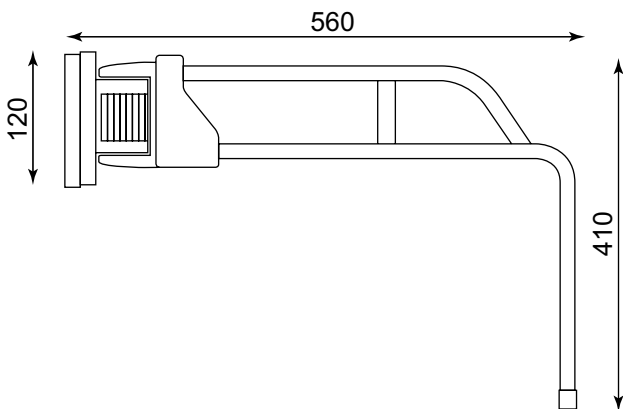
KEY NUMBER	DESCRIPTION
3	Mirror arm without wiring harness
4	Mirror arm with wiring harness



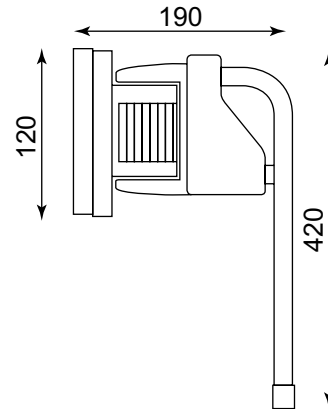
KEY NUMBER	DESCRIPTION
5	Mirror arm without wiring harness



KEY NUMBER	DESCRIPTION
6	Mirror arm with wiring harness



KEY NUMBER	DESCRIPTION
7	Mirror arm with wiring harness (heated/motorised)
8	Mirror arm with wiring harness (heated)



KEY NUMBER	DESCRIPTION
9	Mirror arm with wiring harness (heated/motorised)
10	Mirror arm with wiring harness (heated)

West Bromwich
0121 524 1200

Bristol
0117 955 4955

Glasgow
0141 429 2704

London
01932 349 396

Manchester
0161 457 9800

Dublin
0035318991060