
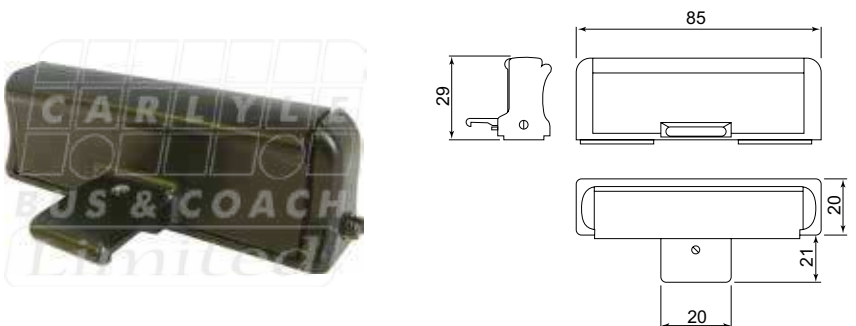



Part Number / Description	Part Image / Technical Drawing
<p>Front Sliding Window Catch</p> <p>MLOC9.11 Double Glazed Slider</p> <p>MLOC9.12 Single Glazed Slider</p>	
<p>MLOC9.13</p> <p>Rear Sliding Window Catch</p> <p>2mm Packer</p>	
<p>MLOC9.14</p> <p>Window Slider Handle</p>	

Section 9.1